



Transportation Signal Lenses and Accessories

5611 Morgan Avenue  
Evansville, Indiana 47715

PHONE (812) 474-4256

FAX (812) 474-4258

gsi5611@generalsignals.com

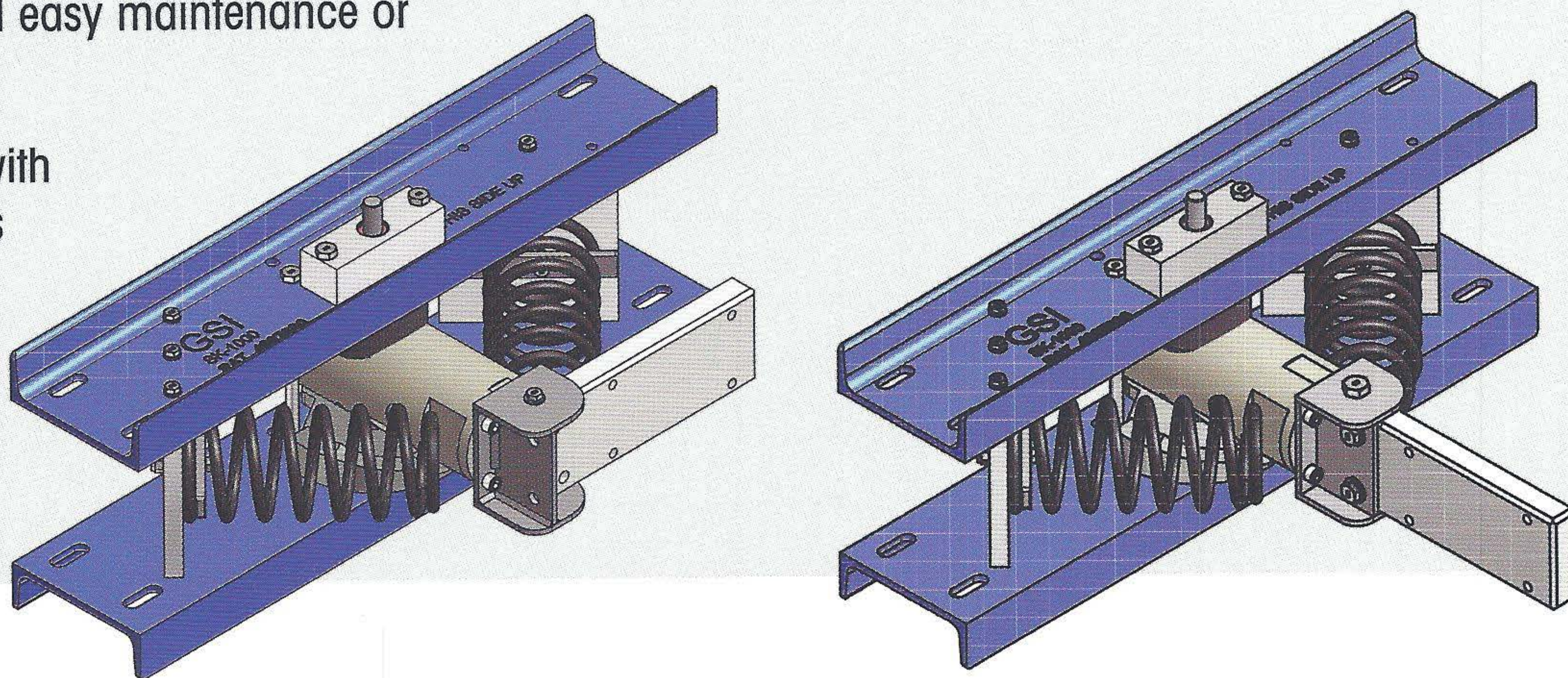
www.generalsignals.com

## INTRODUCING GENERAL SIGNALS NEW EASY FLEX BI-DIRECTIONAL GATE KEEPER

GSI PART# SK-1000-2WFLEX

The new design Gate Keeper allows the gate arm adapter (with or without a gate arm attached) to be quickly rotated back, parallel to the road for safe and easy maintenance or gate arm installation.

The unit can be pushed back with the simple removal of two bolts and the loosening of the main 5/8 inch pivot bolt.

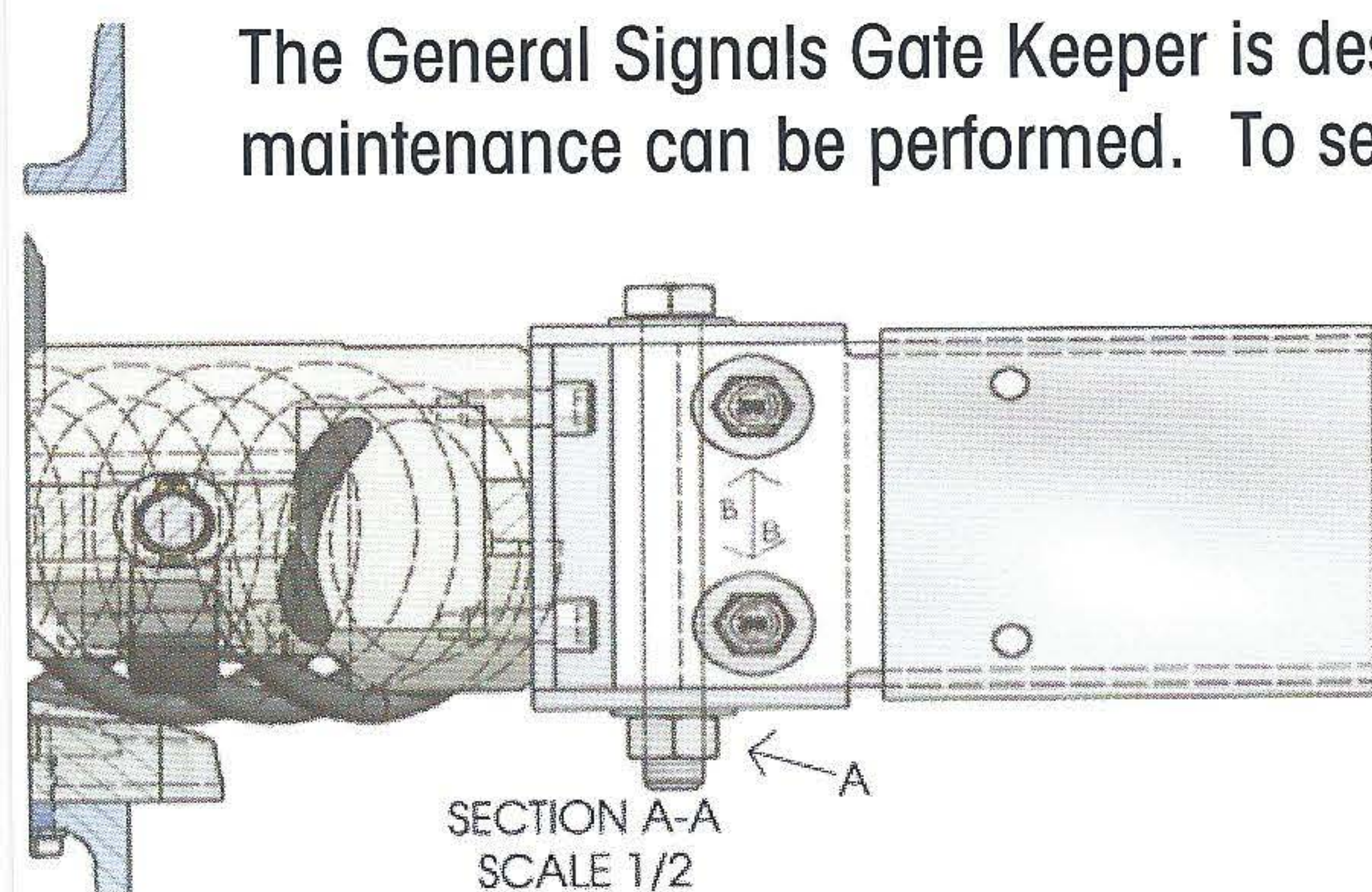


## SAFETY FIRST

### YOUR MAINTAINER'S SAFETY IS YOUR #1 CONCERN.

The General Signals Gate Keeper is designed to allow the gate arm to be rotated safely off of the road, so any maintenance can be performed. To secure the arm safely on the roadside, simply follow these quick steps:

- 1.) Loosen, but not remove, the 5/8" x 6" pivot bolt (marked "A" on Drawing below.)
- 2.) Remove completely the 2 each 1/2" x 2 1/4" hex head bolts from the rotation attachment. (Marked "B" on Drawing below.)
- 3.) The gate arm (with or without a gate) will now easily rotate a full 90 degrees away from the road.
- 4.) After the gate attachment or maintenance, reattach and tighten bolts.



\*Note: The rotation attachment is preset on all GSI Gate Keepers to allow the arm to rotate away from the track based on standard right hand installation. For island gates or gates on the left side of a one way street installation, the rotation attachment can be reversed by removing the 4 each 7/16" x 1" socket head bolts, rotating the piece 180 degrees and reattaching.

The new EZ Flex Gate Keeper from General Signals  
**SAFETY. EFFICIENCY. DURABILITY. RELIABILITY.**